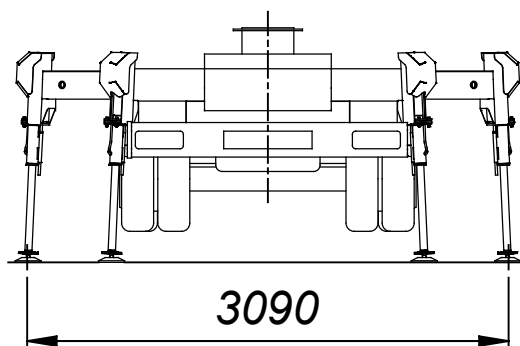
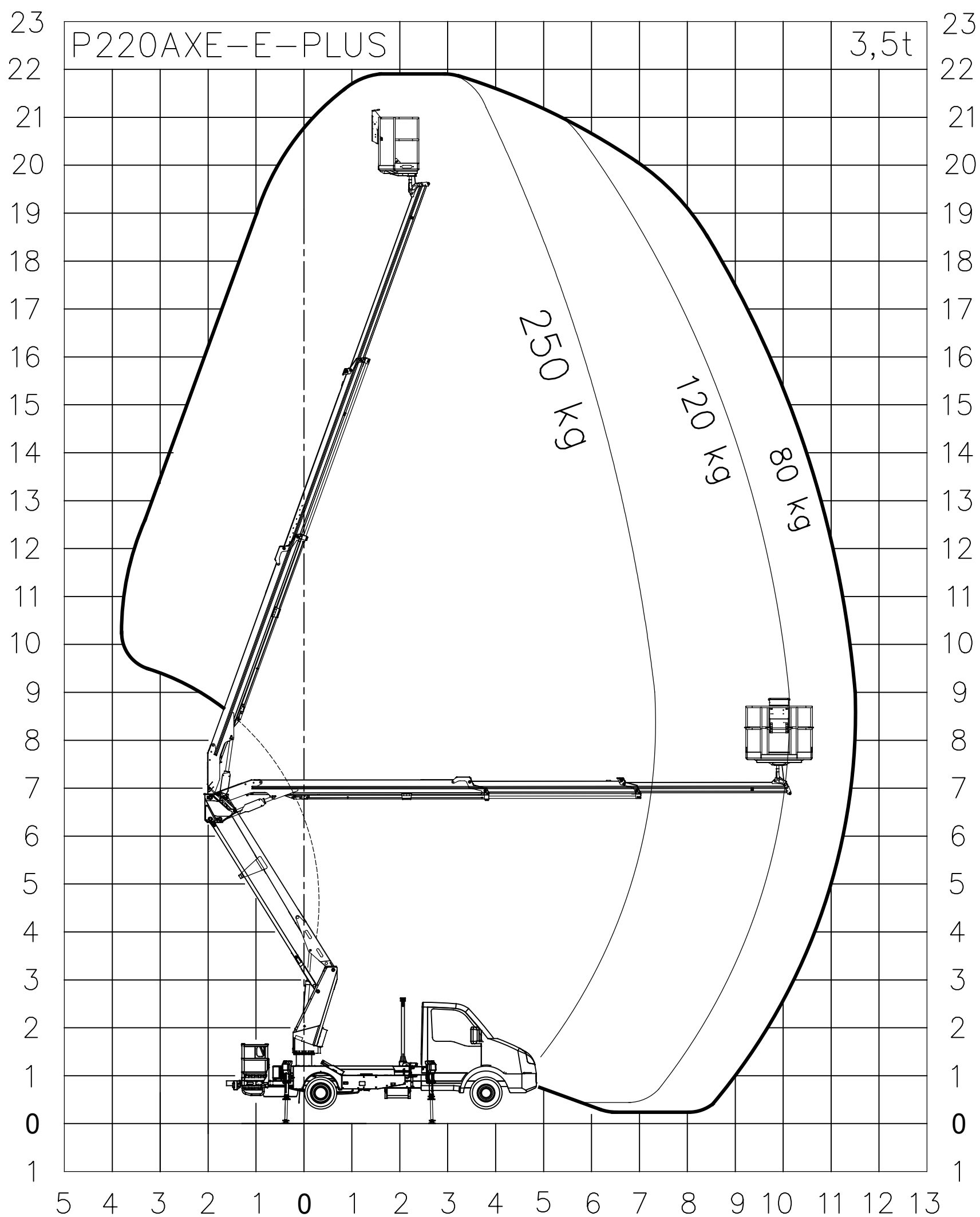


PALFINGER

Palfinger Platforms Italy s.r.l.

B



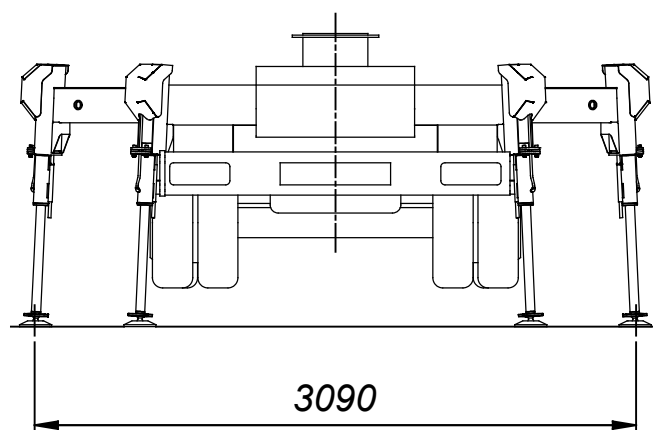
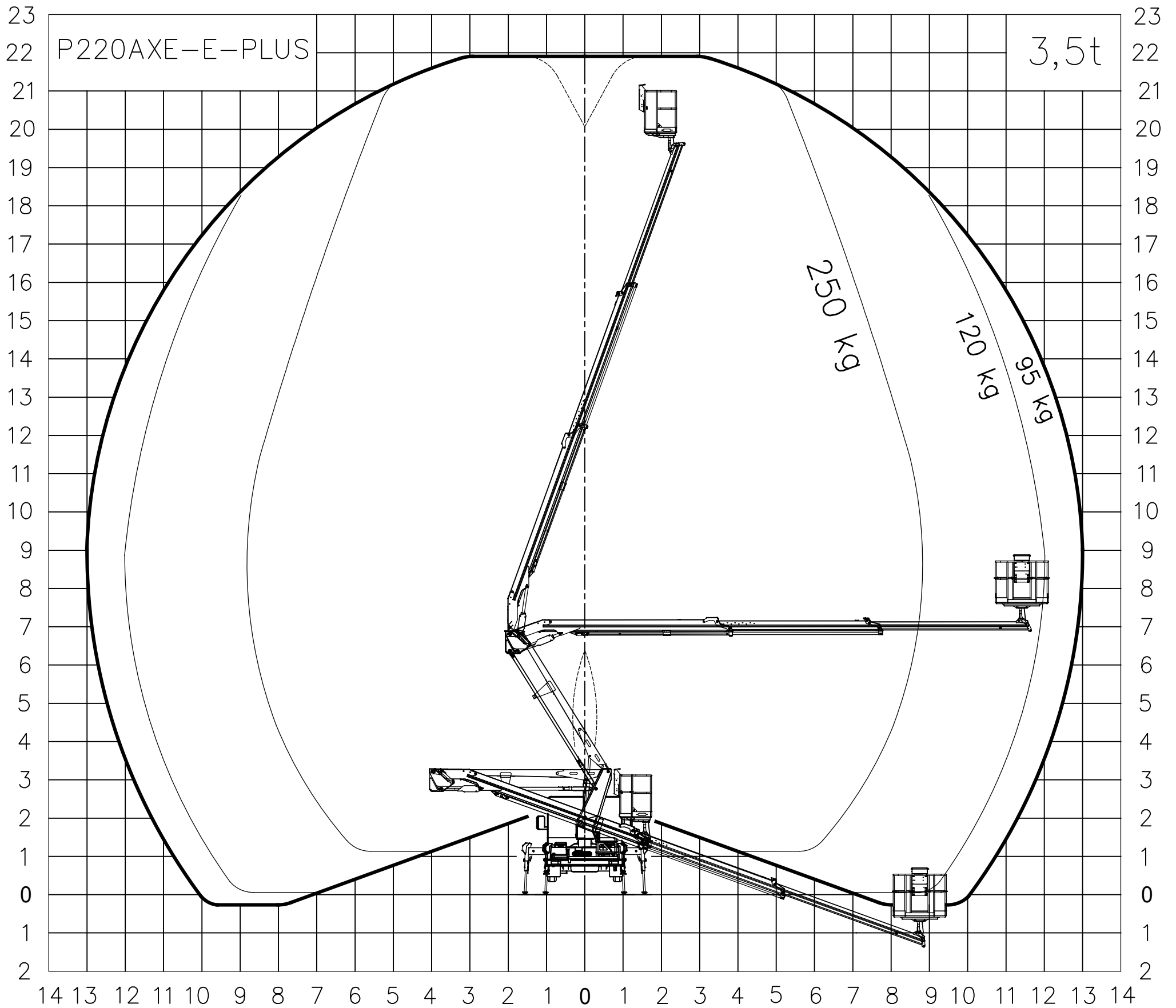
WORK AREA 01_B

P220AXE-E-PLUS ON IVECO DAILY 35S14 WB 3450

PALFINGER

Palfinger Platforms Italy s.r.l.

A

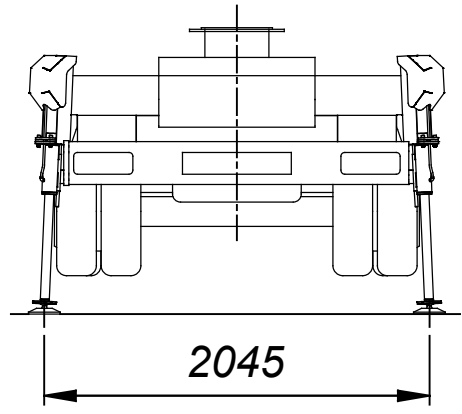
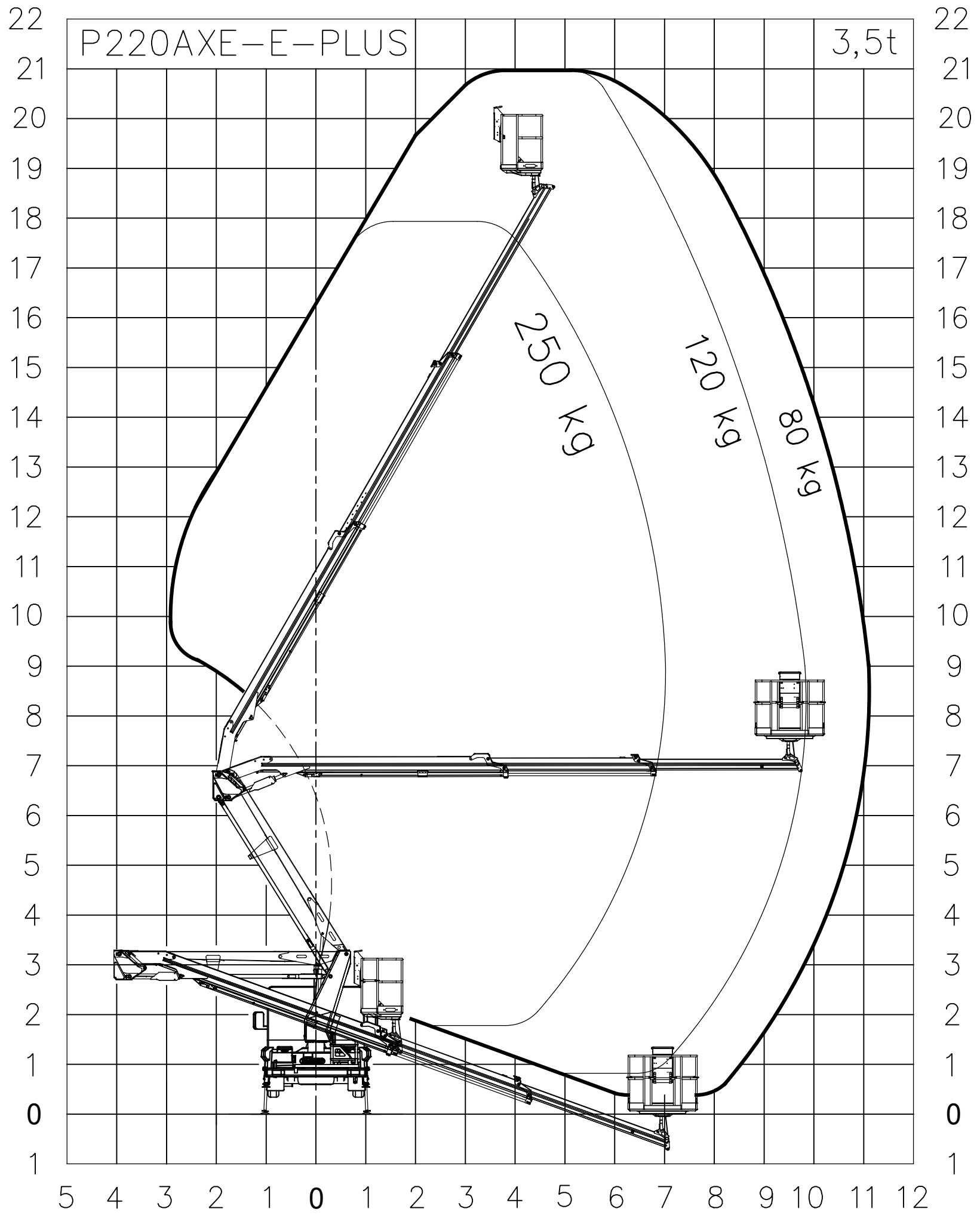


WORK AREA 01_A
P220AXE-E-PLUS ON IVECO DAILY 35S14 WB 3450

PALFINGER

Palfinger Platforms Italy s.r.l.

C

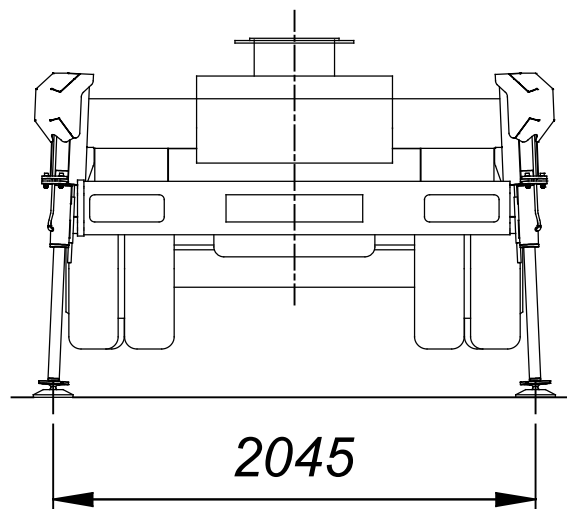
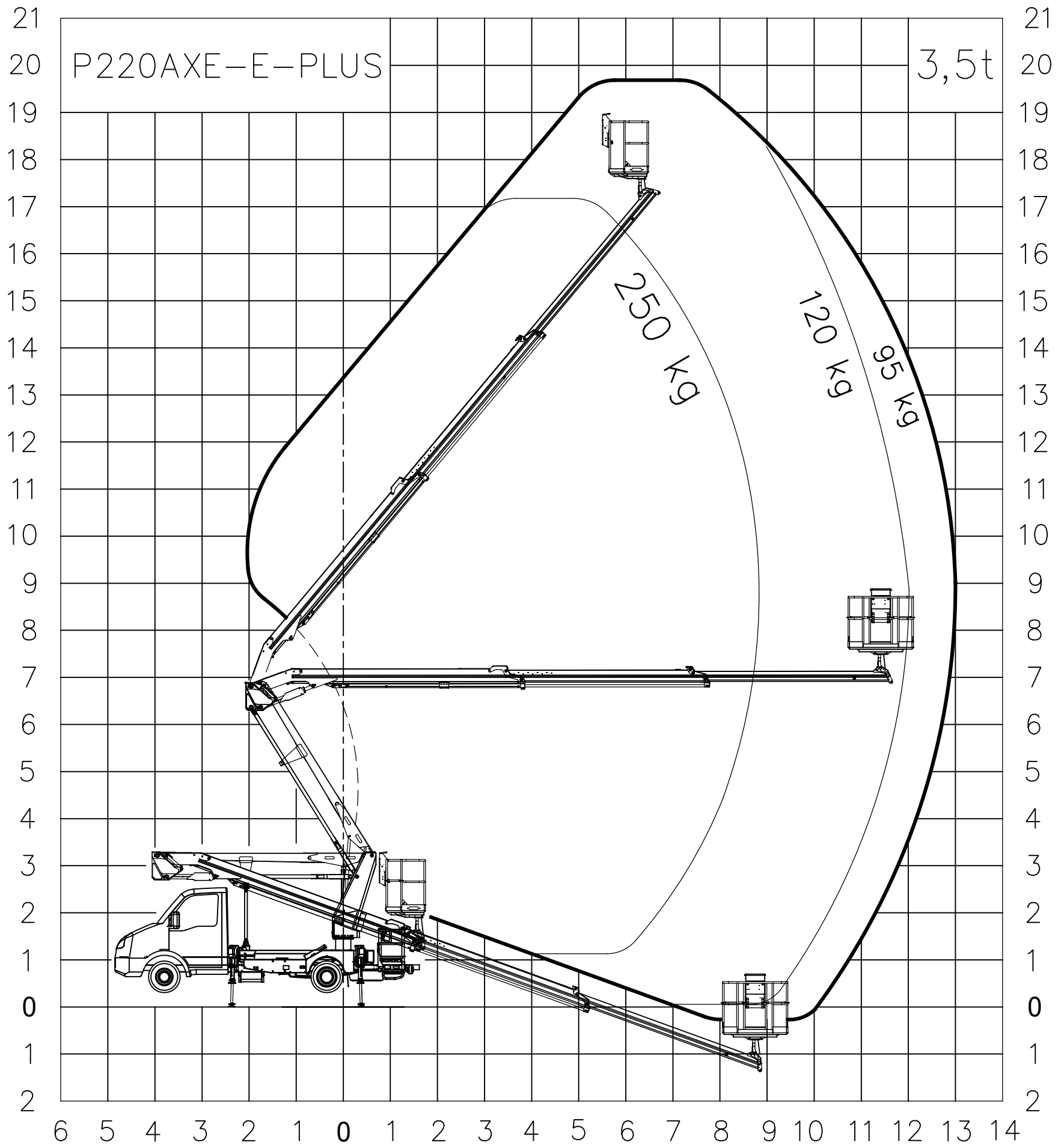


WORK AREA 01_C
P220AXE-E-PLUS ON IVECO DAILY 35S14 WB 3450

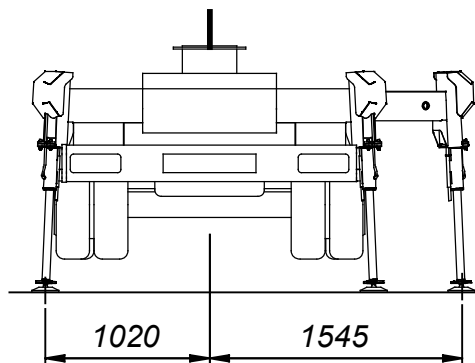
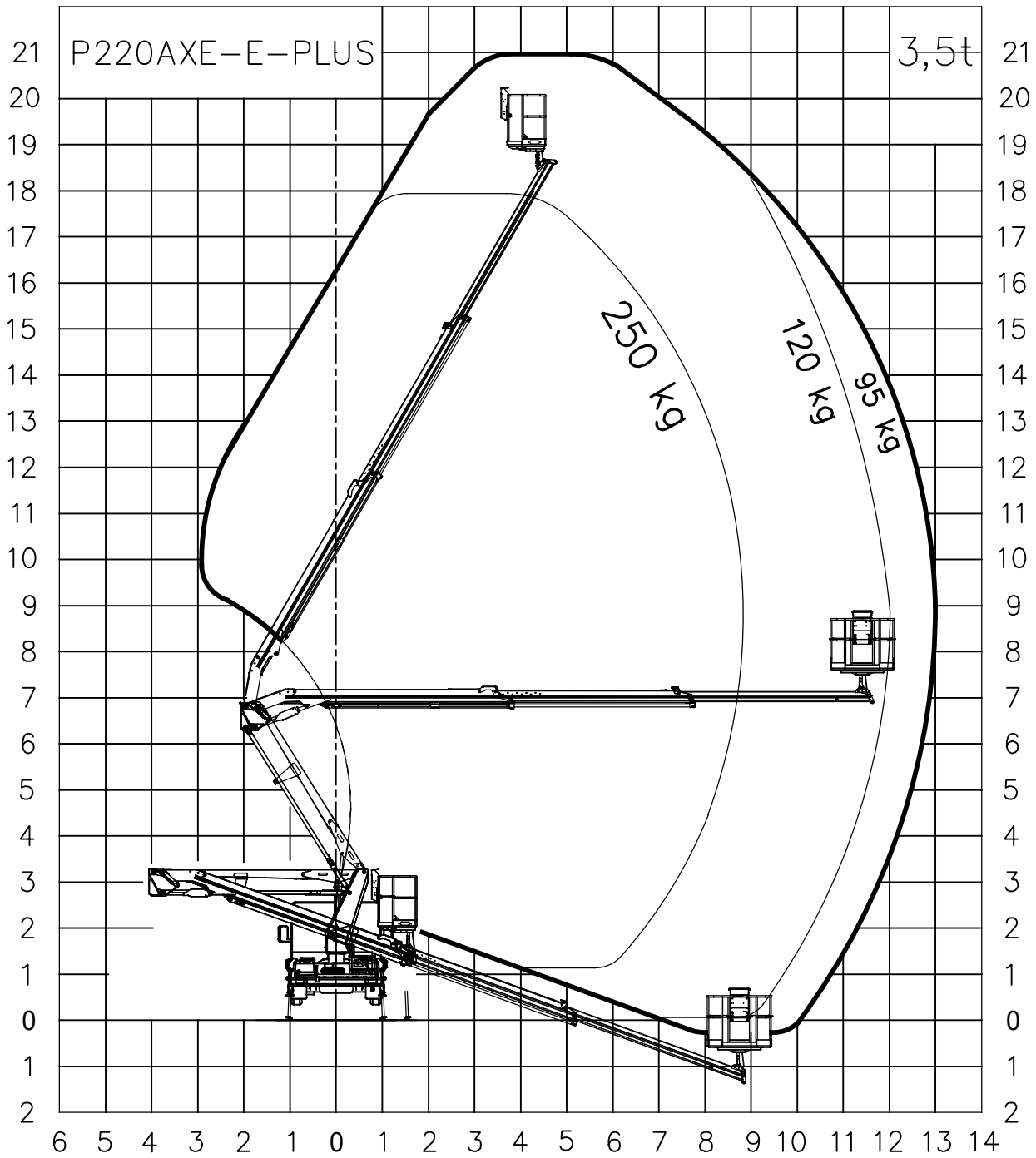
PALFINGER

Palfinger Platforms Italy s.r.l.

D



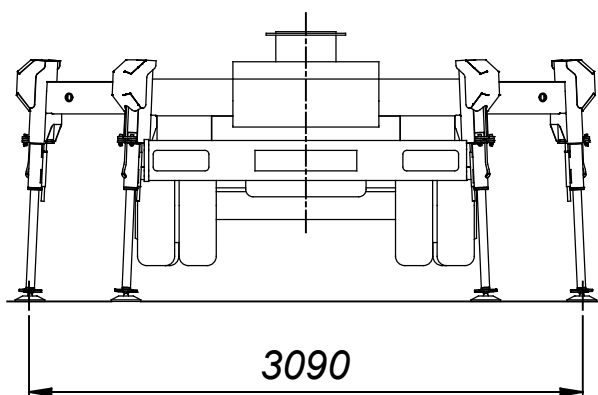
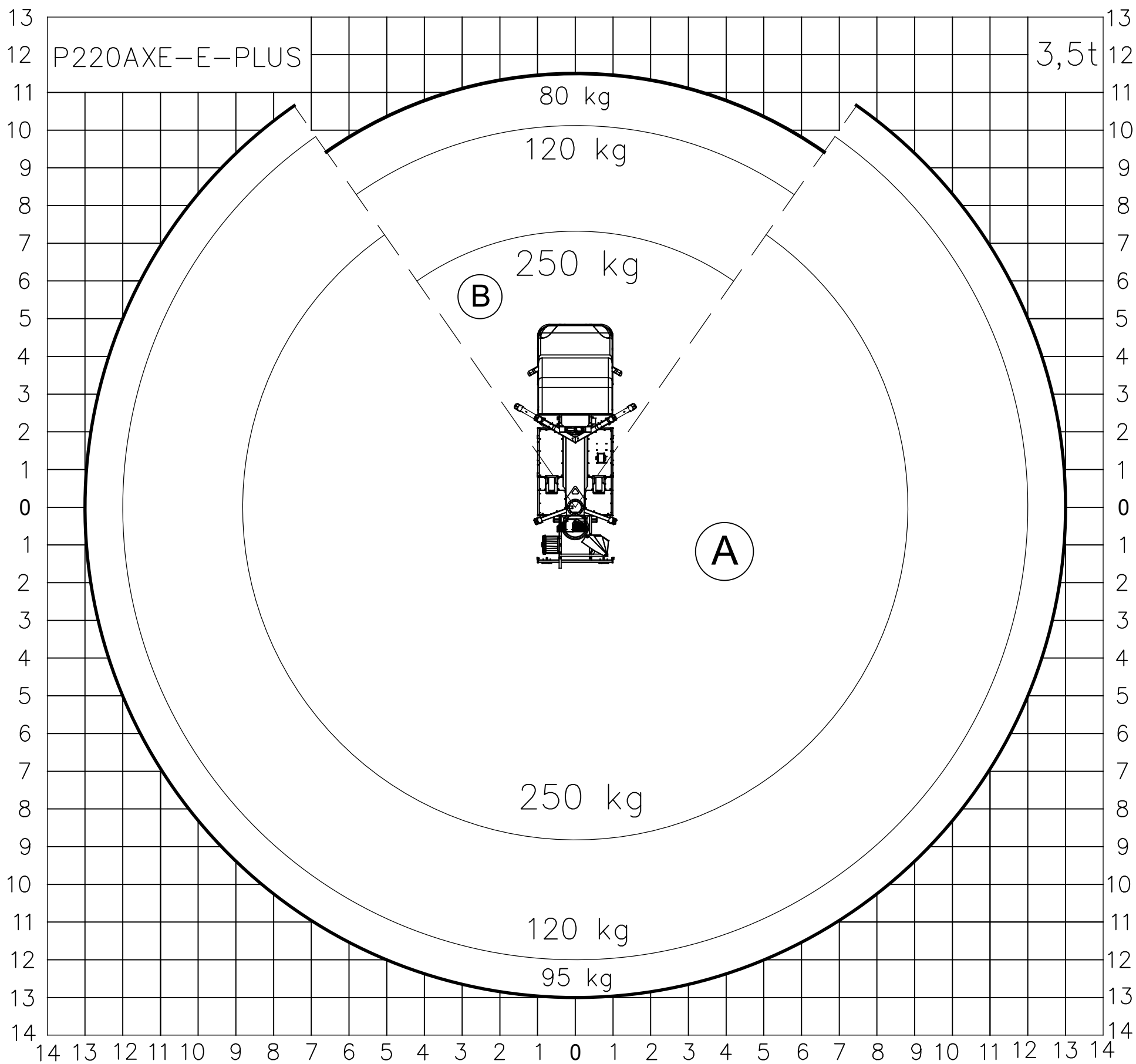
WORK AREA 01_D
P220AXE-E-PLUS ON IVECO DAILY 35S14 WB 3450



WORK AREA 01_E
P220AXE-E-PLUS ON IVECO DAILY 35S14 WB 3450

PALFINGER

Palfinger Platforms Italy s.r.l.

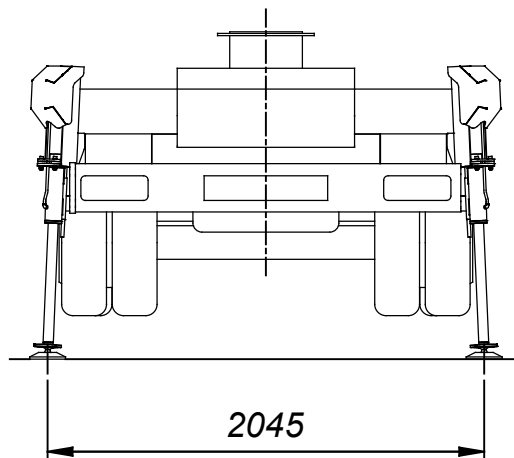
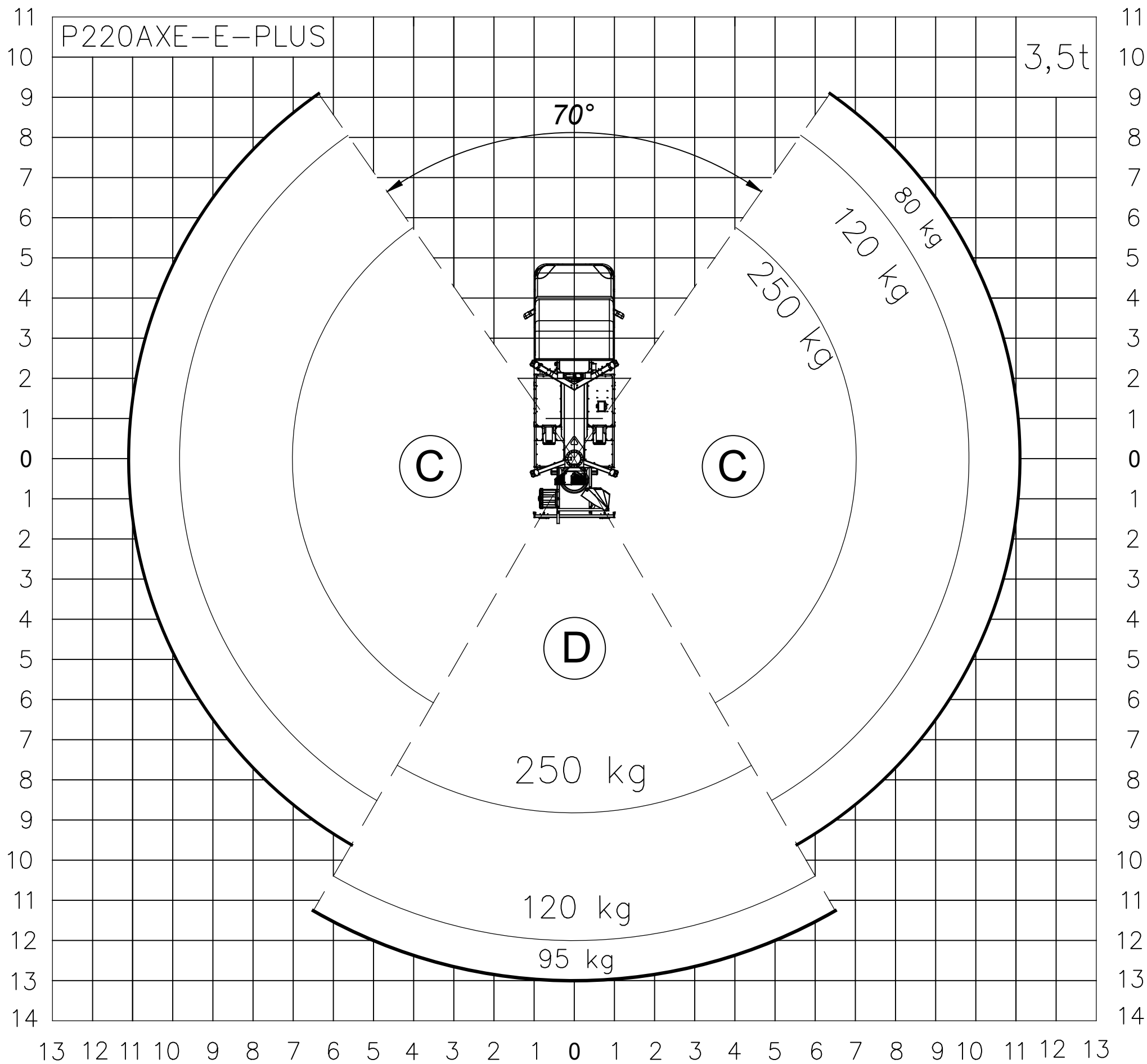


WORK AREA 02_01

P220AXE-E-PLUS ON IVECO DAILY 35S14 WB 3450

PALFINGER

Palfinger Platforms Italy s.r.l.

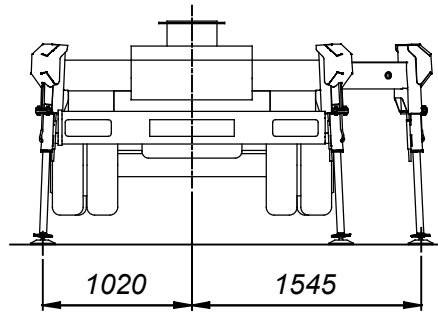
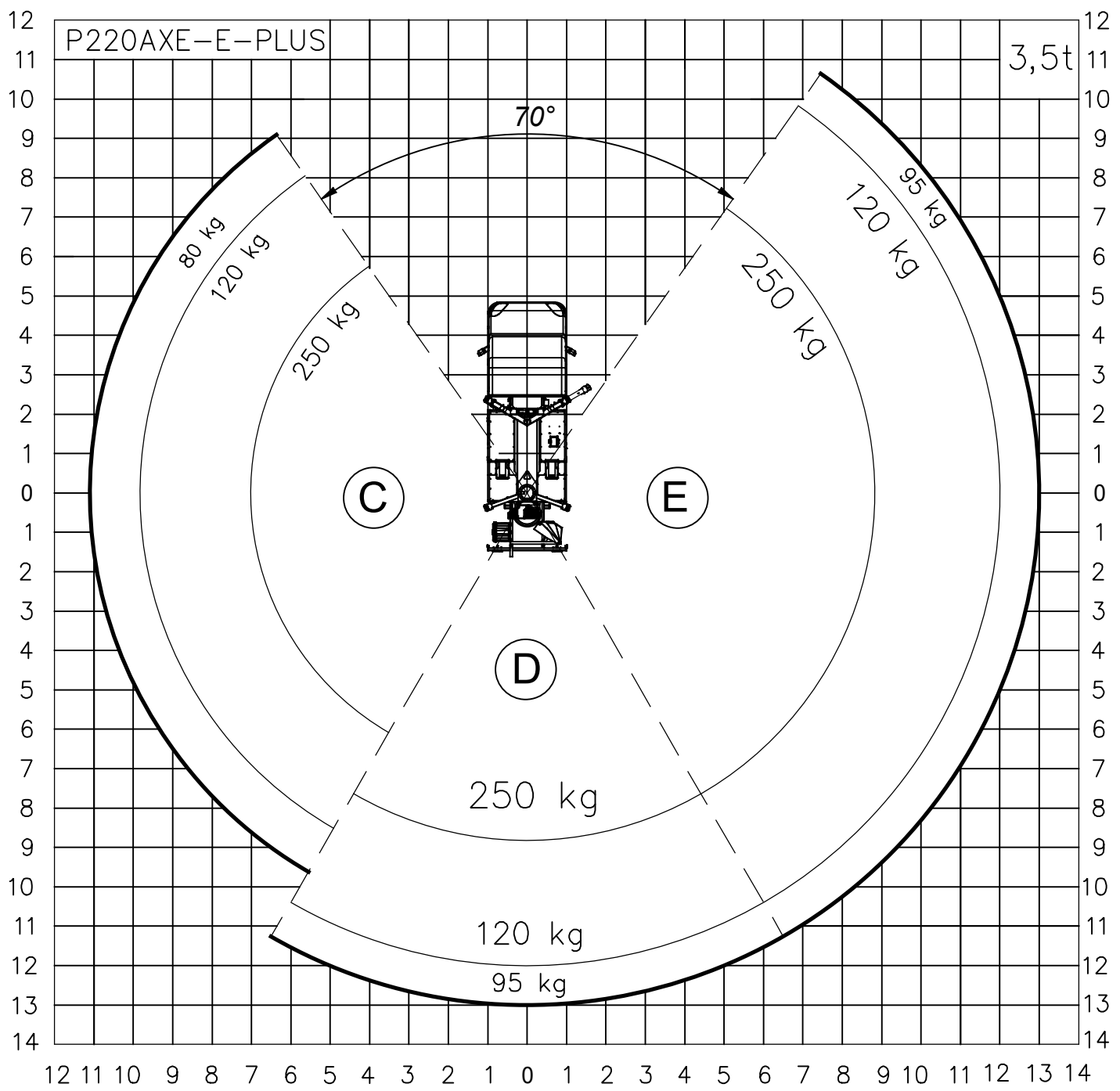


WORK AREA 02_02

P220AXE-E-PLUS ON IVECO DAILY 35S14 WB 3450



Palfinger Platforms Italy s.r.l.



WORK AREA 02_03

P220AXE-E-PLUS ON IVECO DAILY 35S14 WB 3450