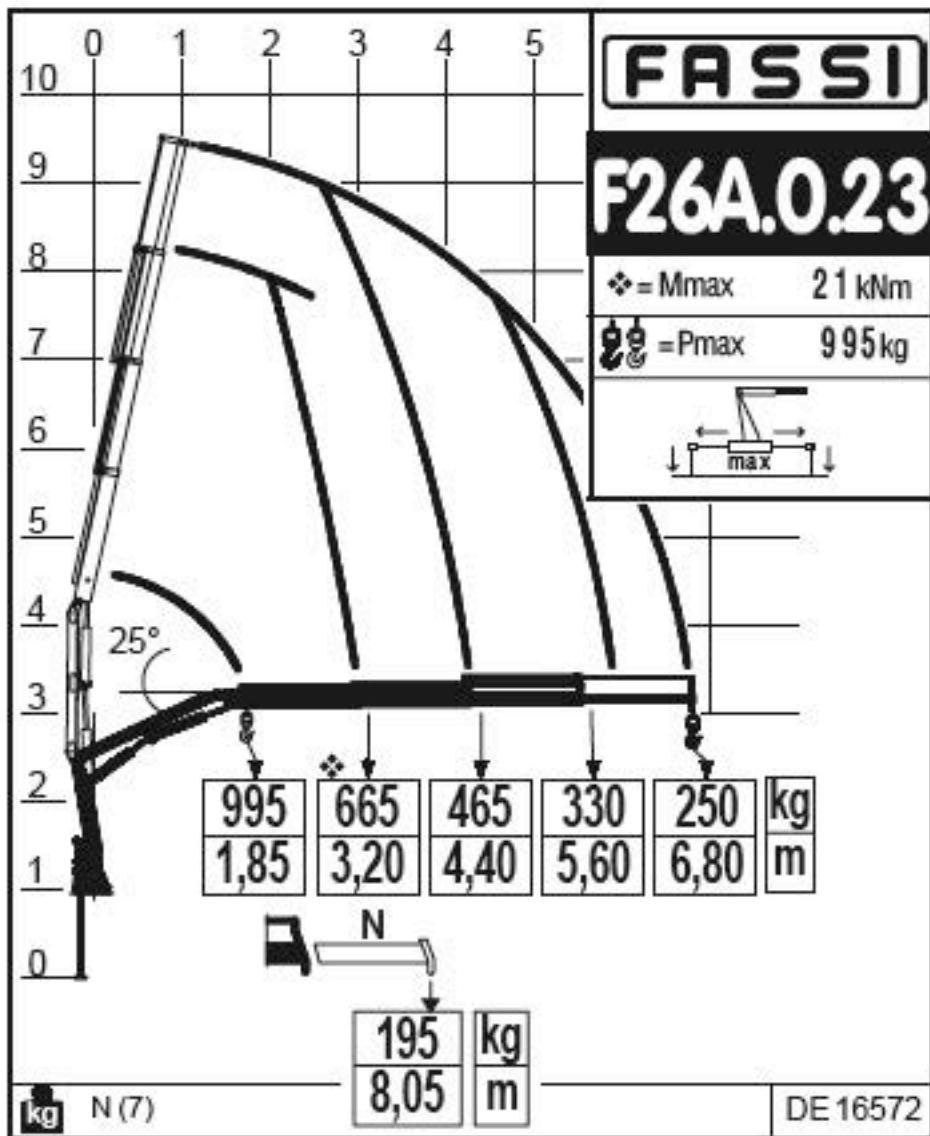


FASSI**F26A.0.23**

❖ = Mmax 21 kNm

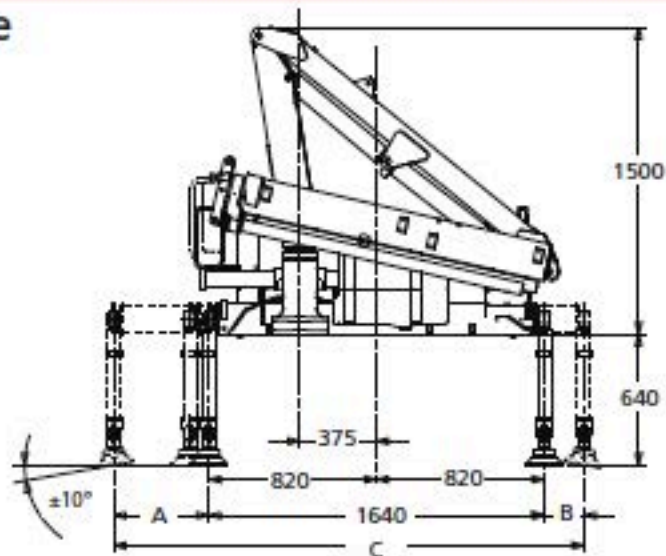
⚙ = Pmax 995 kg



F32A active - F40B active

Technical data

F32A active



	STD	XL
A	465	910
B	195	550
C	2300	3100

kg/m

	kNm	tm	m	m	°	kNm	MPa	l/min	l	kg	mm	mm	mm
F32A.0.21	27	2,75	4,40	1,20	370	4	26,5	10	33	390	1820	520	1500
F32A.0.22	26	2,65	5,65	2,40	370	4	26,5	10	33	430	1820	530	1500
F32A.0.23	26	2,65	6,90	3,60	370	4	26,5	10	33	465	1820	530	1500