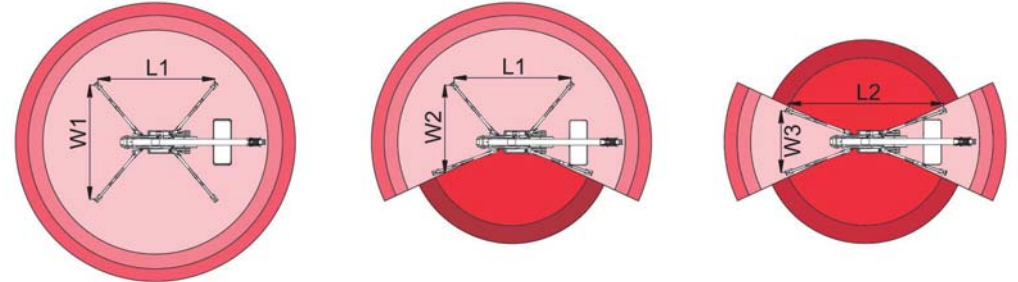
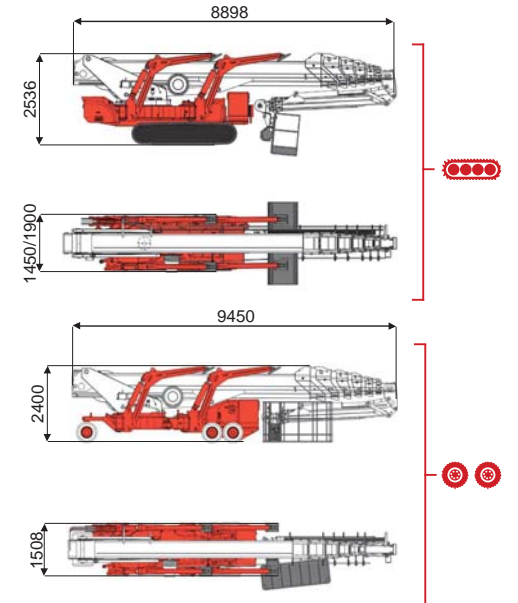
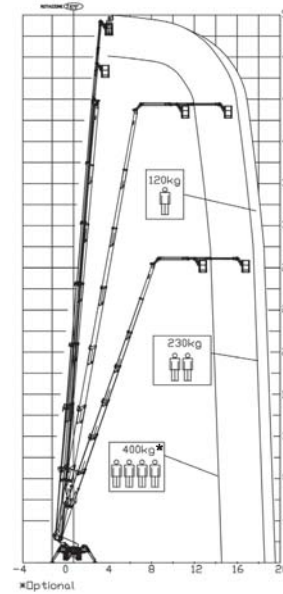




52 m ↑  
19,5 m →  
400 Kg 🧑🧑🧑🧑



|          |          |          |          |            |         |         |         |         |         |
|----------|----------|----------|----------|------------|---------|---------|---------|---------|---------|
| 14000 mm | 18000 mm | 19000 mm | 12000 mm | 16000 mm   | L1      | L2      | W1      | W2      | W3      |
| 400 kg   | 230 kg   | 120 kg   | 400 kg   | 120/230 kg | 6250 mm | 6946 mm | 5000 mm | 4500 mm | 4000 mm |

BI-ENERGY  
Diesel+AC



|          |    |      |        |        |      |      |           |         |       |     |     |          |          |       |                        |                        |              |         |         |
|----------|----|------|--------|--------|------|------|-----------|---------|-------|-----|-----|----------|----------|-------|------------------------|------------------------|--------------|---------|---------|
| XTJ 52/C | 🔋  | 52 m | 19,5 m | 400 kg | 170° | 660° | 240x70 cm | 90°+80° | 4-5 m | 15% | 40% | 1,5 km/h | 14000 kg | 95 kN | 4,19 kN/m <sup>2</sup> | 6,55 kN/m <sup>2</sup> | 1450/1900 mm | 8898 mm | 2536 mm |
| XTJ 52/R | 🔋🔋 | 52 m | 19,5 m | 400 kg | 170° | 660° | 240x70 cm | 90°+80° | 4-5 m | 15% | 25% | 1,4 km/h | 13000 kg | 95 kN | 3,90 kN/m <sup>2</sup> | 6,09 kN/m <sup>2</sup> | 1508 mm      | 9450 mm | 2400 mm |



Battery type



Battery charge



Add. Weight



Autonomy



Charging time

Electropump

|     |       |    |             |              |        |               |    |          |
|-----|-------|----|-------------|--------------|--------|---------------|----|----------|
| ECO | DC+AC | 🔋🔋 | 48V 270 A/h | 230V-48V 45A | 400 kg | 6-7 h endless | 7h | 48V 9 kW |
|-----|-------|----|-------------|--------------|--------|---------------|----|----------|